

## Split Shaft Collars

Stainless Steel, with Damping Washer

### SPECIFICATION

- Stainless steel AISI 316LHC NI
- Sintered
- Damping washer
- Elastomer (PUR)
  - 70 Shore A
  - Temperature resistant up to 80 °C
  - Transparent
- Socket cap screw DIN 912
- Stainless steel AISI 304

### INFORMATION

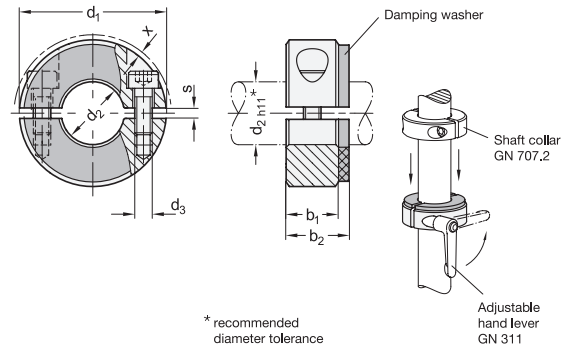
- The affixed damping washer of the split shaft collars GN 7072.3 absorbs mild shocks and has a sound-damping effect when the shaft collars come into contact with other components.
- They can be assembled safely and easily with a high clamping force by reducing the slot height, without damaging the surface of shafts and axles. As compared to semi-split shaft collars, split shaft collars can even be assembled radially.
- The thread  $d_3$  for sizes  $d_1 = 30$  to 36 is designed as a through hole; for sizes  $d_1 = 42$  and larger, it is designed as blind hole.
- List of Shaft Collar Types (see page )

### ACCESSORY

- Adjustable Hand Levers GN 311 (see page )

### TECHNICAL INFORMATION

- ISO-Fundamental Tolerances (see page A21)
- Plastic Characteristics (see page A32)
- Stainless Steel Characteristics (see page A26)



### GN 7072.3

STAINLESS STEEL

Description	$d_1$	$d_2$ H10	$b_1$	$b_2$	$d_3$	s	$x \approx$ max protrusion of cap screw	Adjustable hand lever for $d_3$	⚖
GN 7072.3-30-B12-NI	30	B 12	11	13	M 4	2.1	0.7	GN 311-30-M4-12-SW	38
GN 7072.3-32-B14-NI	32	B 14	11	13	M 4	2.1	0.7	GN 311-30-M4-12-SW	46
GN 7072.3-36-B15-NI	36	B 15	13	15	M 5	2.1	1.4	GN 311-30-M5-13-SW	113
GN 7072.3-36-B16-NI	36	B 16	13	15	M 5	2.1	1.4	GN 311-30-M5-13-SW	111
GN 7072.3-42-B18-NI	42	B 18	15	18	M 5	3	0.6	GN 311-30-M5-15-SW	103
GN 7072.3-42-B20-NI	42	B 20	15	18	M 5	3	0.6	GN 311-30-M5-15-SW	115
GN 7072.3-48-B22-NI	48	B 22	15	18	M 5	3	0	GN 311-45-M5-16-SW	112
GN 7072.3-48-B25-NI	48	B 25	15	18	M 5	3	0	GN 311-45-M5-16-SW	115
GN 7072.3-55-B28-NI	55	B 28	15	18	M 6	3	0.5	GN 311-45-M6-18-SW	167
GN 7072.3-55-B30-NI	55	B 30	15	18	M 6	3	0.5	GN 311-45-M6-18-SW	165
GN 7072.3-60-B32-NI	60	B 32	15	18	M 6	4	0.4	GN 311-45-M6-19-SW	168
GN 7072.3-60-B35-NI	60	B 35	15	18	M 6	4	0.4	GN 311-45-M6-19-SW	166
GN 7072.3-65-B40-NI	65	B 40	15	18	M 6	4	0.5	GN 311-45-M6-20-SW	185

